

Wafer Ball Valve 4-Way, "L" or "T" bored, reduced bore

MAIN STANDARD FEATURES

- CONSTRUCTION: AISI 316 and ASTM A105
- General prescriptions: BS 5351
- DIAMETER: from DN15 to DN100
- PRESSURES: PN16/40 from DN15 to DN50 and DN80
PN16 for DN65 and DN100
- TEMPERATURE LIMITS: from -20°C to +180°C
- CONNECTIONS with flanges: UNI 2223-2229 and DIN 2501 BL.1
- FLANGE DRILLING: METRIC
- BLOW-OUT PROOF stem with antistatic device (from DN40)
- WRAPPING SIDE SEALING composed of 2 seats
- TRIPLE stem-packing with labyrinth effect and automatic adjustment by Belleville washers
- ISO 5211 mounting plate for actuators
- OPERATION device: lever handle



STANDARD PART NUMBERS

| | | | |
|---------------------------------------|---------------------------------------|---------------------------------------|---------------------------------------|
| Art. NA02 A 316-PN16,L ball | Art. NF02 A 316-PN16,T ball | Art. NC02 A 105-PN16,L ball | Art. NH02 A 105-PN16,T ball |
| Art. NA04 A 316-PN40,L ball | Art. NF04 A 316-PN40,T ball | Art. NC04 A 105-PN40,L ball | Art. NH04 A 105-PN40,T ball |

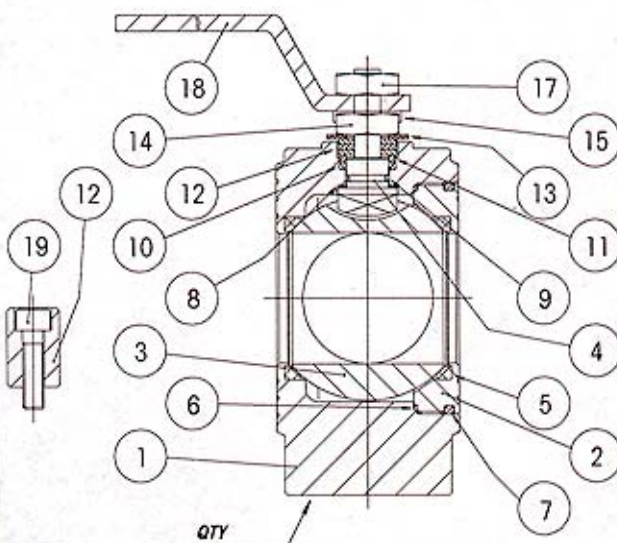
SPECIAL EXECUTIONS

- 15% GLASS-FILLED PTFE with temperature limits -20°C +195°C
- PTFE + CARBOGRAPHITE with temperature limits -20°C +210°C
- DN65 and DN100 PN25/40: metric flange drilling
- VALVE with pneumatic actuator
- Reduction gear with manual operation
- Stem extensions: 50mm or 100mm
- Antistatic device from DN15 to DN32
- On request the valve is available with ATEX certificate
- For further special requests please consult our technical/commercial service

GENERAL APPLICATIONS

Use as an ON-OFF valve for deviation or mixing of fluids and gases in general installation.

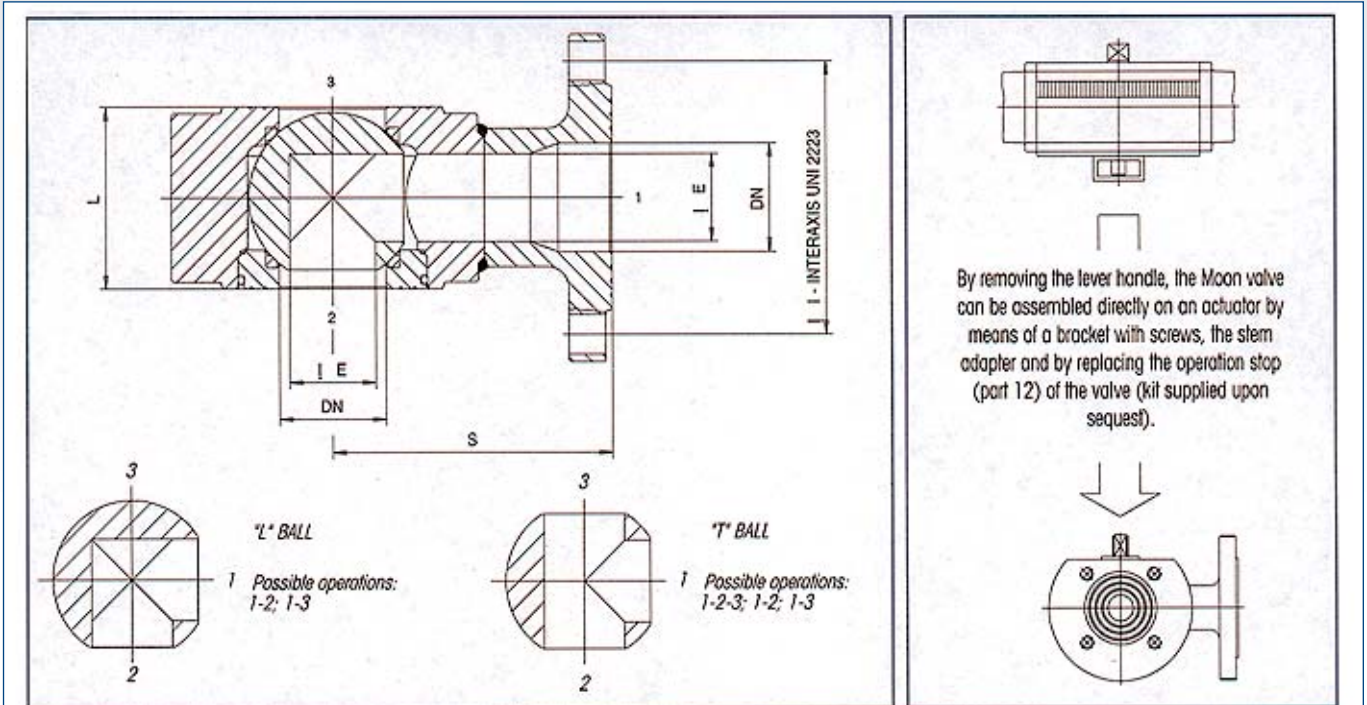
For special utilizations ascertain the compatibility with process features and the corrosion resistance also by the relevant table.



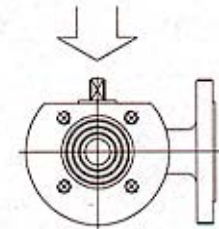
LIST OF COMPONENTS AND MATERIALS

| REF. | PART | MATERIAL AISI 316 Veris | MATERIAL A 105 Veris | QTY |
|------|-----------------------|----------------------------|-------------------------|-----|
| 1 | BODY | AISI 316 | ASTM A105 | 1 |
| 2 | THREADED LOCKING RING | AISI 316 | ASTM A105 | 1 |
| 3 | BALL | AISI 316 | AISI 316 | 1 |
| 4 | STEM | AISI 316 | AISI 304 | 1 |
| 5 | SEAT | PTFE | PTFE | 2 |
| 6 | SIDE SEALING RING | PTFE | PTFE | 1 |
| 7 | O-RING | NBR | NBR | 1 |
| 8 | UPPER RING | PTFE | PTFE | 2 |
| 9 | STEM O-RING | VITON | VITON | 1 |
| 10 | UPPER SEALING COUPLE | PTFE | PTFE | 1 |
| 11 | GLAND WASHER | AISI 304 | AISI 304 | 1 |
| 12 | OPERATION STOP | AISI 304 | AISI 304 | 1 |
| 13 | BELLEVILLE WASHERS | 50CrV4 | 50CrV4 | 2 |
| 14 | STEM RETAINING NUT | ACIER INOX | IDEM | 1 |
| 15 | FIXING NUT PLATE | AISI 304 | AISI 304 | 1 |
| 17 | LOCKING NUT | ACIER INOX | IDEM | 1 |
| 18 | LEVER HANDLE | ACIER INOX | IDEM | 1 |
| 19 | OPERATION STOP SCREW | ACIER INOX | IDEM | 1 |

Wafer Ball Valve 4-Way, "L" or "T" bored, reduced bore



By removing the lever handle, the Moon valve can be assembled directly on an actuator by means of a bracket with screws, the stem adapter and by replacing the operation stop (part 12) of the valve (kit supplied upon request).



| SIZE | øE | øI | L | S | N° HOLES | PN | ISO conn | weight in gr. |
|-------|----|-----|-----|-----|----------|----|----------|---------------|
| DN15 | 10 | 65 | 35 | 85 | 4 | 40 | F03 | 2140 |
| DN20 | 15 | 75 | 38 | 90 | 4 | 40 | F03 | 2892 |
| DN25 | 20 | 85 | 43 | 90 | 4 | 40 | F04 | 3690 |
| DN32 | 25 | 100 | 54 | 105 | 4 | 40 | F04 | 6125 |
| DN40 | 32 | 110 | 66 | 120 | 4 | 40 | F05 | 8085 |
| DN50 | 40 | 125 | 83 | 130 | 4 | 40 | F05 | 11180 |
| DN65 | 50 | 145 | 103 | 150 | 4 | 16 | F07 | 19470 |
| DN65 | 50 | 145 | 103 | 150 | 8 | 40 | F07 | 19470 |
| DN80 | 65 | 160 | 122 | 175 | 8 | 40 | F07 | 25080 |
| DN100 | 78 | 180 | 153 | 185 | 8 | 16 | F10 | 38565 |
| DN100 | 78 | 190 | 153 | 195 | 8 | 40 | F10 | 45315 |

For the missing dimensions please refer to the tables concerning MOON ND.

BREAKAWAY TORQUES in Nm

| PN - bar | DIN size | 15 | 20 | 25 | 32 | 40 | 50 | 65 | 80 | 100 |
|----------|----------|------|------|------|------|------|------|------|-----|-----|
| | 0 | 4 | 7 | 10 | 16 | 25 | 35 | 55 | 75 | 150 |
| 16 | 4.8 | 8.5 | 11.3 | 19 | 28 | 39 | 59 | 84.5 | 168 | |
| 25 | 5.2 | 9.1 | 12 | 20.5 | 29.5 | 41.5 | 62.5 | 92 | 180 | |
| 40 | 6 | 10.5 | 13 | 22.5 | 31.5 | 44 | 67 | 99 | 195 | |

Nm

The values in Nm may vary as a function of the seats material, temperature and type of medium.

For a firm operation of the various types of actuators, in the different working conditions it is necessary to consider a safety factor of 1.5. During operation, with frequent open and close cycles, the operating torque can decrease considerably in comparison with the initial breakaway torque.

PRESSURE/TEMPERATURE DIAGRAM, At each pressure level corresponds the admissible temperature level.

