

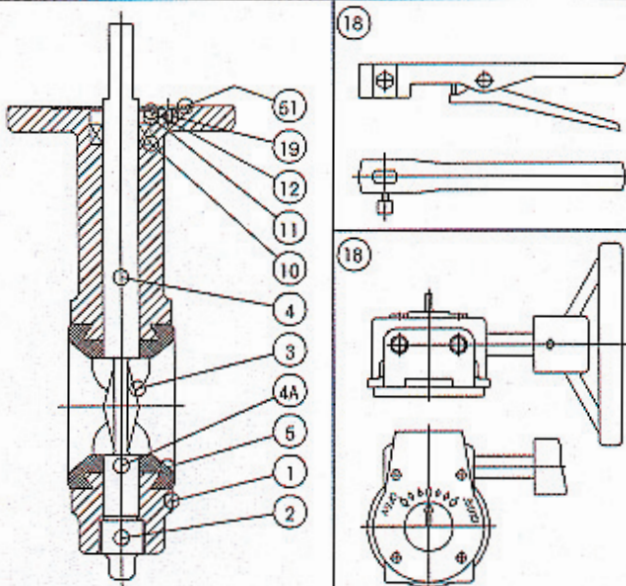
## Absperrklappe "Lug-Type" mit weichen Dichtungen Lug-Type-Butterfly Valve – Soft Seated

### MAIN STANDARD FEATURES

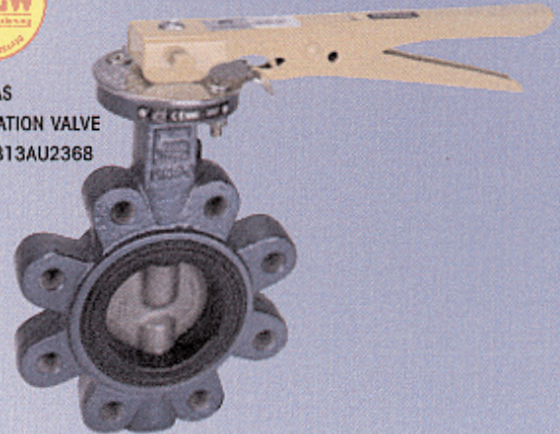
- CONSTRUCTION :  
BODY IN CAST IRON: GGG40/ASTM 536  
DISC IN STAINLESS STEEL: ASTM A351 CF8 (AISI 304)
- General prescriptions: BS 5155 - MSS SP67 - API 609
- DVGW GAS CERTIFICATION
- DIAMETER: from DN 40 to DN 600
- CONNECTIONS with flanges:  
PN10-PN16 from DN40 to DN150  
PN10 from DN200 to DN600
- Maximum working pressure (at pipe end):  
PN 16 from DN 40 to DN 150  
PN 10 from DN 200 to DN 600
- TEMPERATURE LIMITS WITH SEALING SEATS IN:  
NBR from -20°C to + 90°C (with peaks up to + 100°C)  
VITON from -10°C to + 160°C
- EPDM seals
- FACE TO FACE DIMENSIONS in conformity with:  
BS 5155 - ISO 5752 - MSS SP 67 - API 609 - DIN 3202/3-K1
- Top flange with ISO 5211 connection
- BLOW-OUT PROOF stem
- OPERATION device: lever handle from DN40 to DN200  
manual reduction gear from DN250 to DN600
- Tests: hydraulic on body: 1.5 x nominal pressure  
hydraulic for sealing: 1.1 x nominal pressure  
pneumatic for sealing: 6 bar
- Locking device from DN40 to DN200
- Tested for vacuum: 1 -10<sup>-7</sup> bar
- Polyurethanic coating

### SPECIAL EXECUTIONS

- ANSI 150 from DN40 to DN600
- Black lever handle
- Reduction gear with manual operation also for small DN
- Disc in AISI 316
- VITON seals
- For further special requests please consult our technical/commercial service



DVGW GAS  
CERTIFICATION VALVE  
NR NG-4313AU2368



### STANDARD PART NUMBERS

Art. B402 with NBR

### SCREWS DIMENSIONS



| SIZE   | PN10 Flanging |          |            | PN16 Flanging |       |
|--------|---------------|----------|------------|---------------|-------|
|        | Ø x Length    | holes    | Ø x Length | holes         | holes |
| 1 1/2" | 40            | M16 x 30 | 4          | M16 x 30      | 4     |
| 2"     | 50            | M16 x 35 | 4          | M16 x 35      | 4     |
| 2 1/2" | 65            | M16 x 35 | 4          | M16 x 35      | 4     |
| 3"     | 80            | M16 x 35 | 8          | M16 x 35      | 8     |
| 4"     | 100           | M16 x 40 | 8          | M16 x 40      | 8     |
| 5"     | 125           | M16 x 45 | 8          | M16 x 45      | 8     |
| 6"     | 150           | M20 x 45 | 8          | M20 x 45      | 8     |
| 8"     | 200           | M20 x 50 | 8          | M20 x 50      | 12    |
| 10"    | 250           | M20 x 55 | 12         | M24 x 55      | 12    |
| 12"    | 300           | M20 x 60 | 12         | M24 x 60      | 12    |
| 14"    | 350           | M20 x 60 | 16         | M24 x 60      | 16    |
| 16"    | 400           | M24 x 70 | 16         | M27 x 70      | 16    |
| 20"    | 500           | M24 x 80 | 20         | M30 x 80      | 20    |
| 24"    | 600           | M27 x 90 | 20         | M33 x 90      | 20    |

### APPLICATION FOR:

with NBR Natural gas, air, oils and greases.

### NOT RECOMMENDED FOR:

Solvents, benzene, xylol.

### LIST OF VALVE COMPONENTS AND MATERIALS

| REF. | PART           | Q.ty | MATERIAL                     |
|------|----------------|------|------------------------------|
| 1    | BODY           | 1    | DUCTILE IRON GGG40/ASTM A536 |
| 2    | PLUG           | 1    | NICKEL PLATED C. STEEL       |
| 3    | DISC           | 1    | CF8 (AISI 304)               |
| 4    | STEM           | 1    | TYPE 410                     |
| 4A   | LOWER STEM     | 1    | TYPE 410                     |
| 5    | SEAT           | 1    | EPDM or NBR                  |
| 10   | UPPER SEAL     | 1    | EPDM or NBR                  |
| 11   | BUSHING        | 1    | DELTRIN                      |
| 12   | RING           | 1    | STEEL FOR SPRINGS            |
| 19   | SCREW          | 2    | NICKEL PLATED C. STEEL       |
| 51   | WASHER         | 1    | NICKEL PLATED C. STEEL       |
| 18   | LEVER HANDLE   | 1    | CARBON STEEL                 |
| 18   | REDUCTION GEAR | 1    | CAST IRON                    |

