

KX SAFEFLEX



MVA Mess- und Verfahrenstechnik GmbH
Am Kirchenhözl 7 • D-82166 Gräfelfing
Fon: +49/89-85 83 69-0 • Fax: +49/89-85 83 69-70
info@mva-messvt.de • www.mva-messvt.de

KX

SAFEFLEX

TRIPLE-OFFSET METAL SEATED BUTTERFLY VALVE

SHUT-OFF AND MODULATING SERVICE - SAFE AND ECONOMIC



KX SAFEFLEX

TRIPLE-OFFSET METAL SEATED BUTTERFLY VALVE

- DN 100 - DN 1600 / 4" - 64"
- PN 10 - PN 160
- ANSI Class 150-900

SAFEFLEX

CONVINCING ADVANTAGES...

>> Temperature Range:
-198° C up to 800° C



A Special Enterprise

OHL Gutermuth Industrial Valves

Extreme safety standards require perfect solutions for shut-off and modulating services. OHL Gutermuth Industrial Valves earned an excellent reputation worldwide providing tailor made valves for specific industrial applications.

Concentrated know-how and decades-long experience of two special enterprises, combined with quality awareness and remarkably personal dedication are the best foundation to accomplish future duties.

Quality

Research and Development

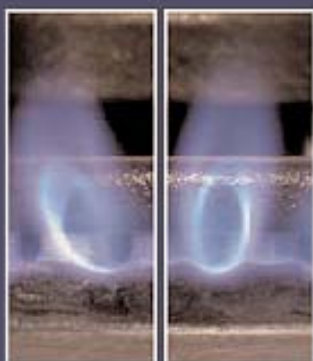
The manifold application criteria's for valves requires strict measures in terms of manufacturing and testing. Our ISO 9000 approved quality system covers all

process stages and ensures constant results. With measuring instruments of the latest state of the art we are performing safety and functional tests. Permanently on going research and development are based upon experiences in reference plants worldwide. Our final products are undergoing continuous endurance tests and will be constantly improved according to the latest state of technology.

All these measures are ensuring optimization of performance and adaptation to the latest technical innovations.



...FOR YOUR APPLICATIONS



>> Pressure of 0 - 150 bar



>> All kinds of fluids



>> Chemical Industry

The „Performance Dimension“ for metal seated Butterfly Valves...

KX SAFEFLEX - a "Performance Dimension" according to the latest manufacturing standards. The valve combines characteristics, functionality and application-diversity which are unique and extremely economic in this combination. KX SAFEFLEX offers highest standards in terms of reliability in operation and long cycle life on high pressures, temperatures and dynamic loads. We assure extremely tightness for "very hot" as well as "very cold" applications. SAFEFLEX, a "Convincing Technology" for Shut-Off and Modulating Service - Safe and Economic

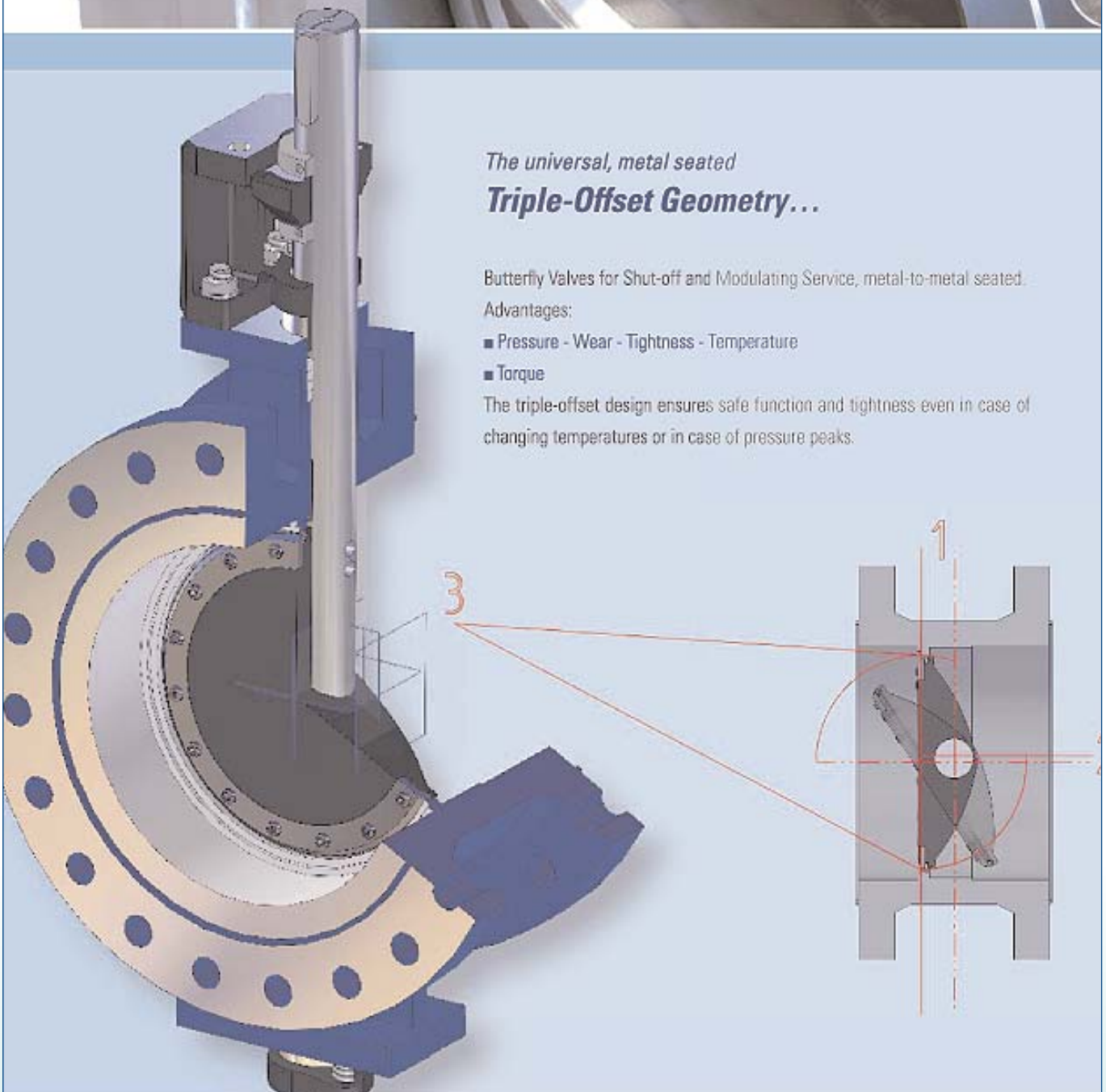
Applications:

- Power Stations
- Steel Mills
- Paper Mills
- Chemical Plants
- Petrochemical Industry
- Refineries
- Plant-Building
- District Heating

Advantages

- 1 The compact sealing ring is carried out rotation-symmetric. No wash out tendency as usual with lamellar sealing systems. The sealing ring is easy to exchange.
- 2 The selected materials are depending on media, temperature and corrosion resistance. The valve seat is available in stainless steel or in a hard faced execution.
- 3 Absolutely friction-free shut off service. The valve-seat geometry ensures wear free operation as the disc seal contacts the body seat only at the final shut-off position.
- 4 No breakaway torque during opening the valve, therefore optimal for modulating service.
- 5 The shaft is triple supported by means of 2 inner- / 1 outer bearings which ensure long-cycle functionality of the stuffing box. This is extremely important in case of large numbers of operating cycles.
- 6 The valve is fire-safe according to API6FA / BS 6755 with a blow-out safe shaft and can handle temperatures between -198°C to 800°C.
- 7 Depending on diameter the valve can manage differential pressures up to 150 bar.

SAFEFLEX THE TRIPLE-OFFSET GEOMETRY...



The universal, metal seated Triple-Offset Geometry...

Butterfly Valves for Shut-off and Modulating Service, metal-to-metal seated.

Advantages:

- Pressure - Wear - Tightness - Temperature
- Torque

The triple-offset design ensures safe function and tightness even in case of changing temperatures or in case of pressure peaks.

...SEALING ELEMENTS AND EXECUTIONS...



>> Sealing Elements

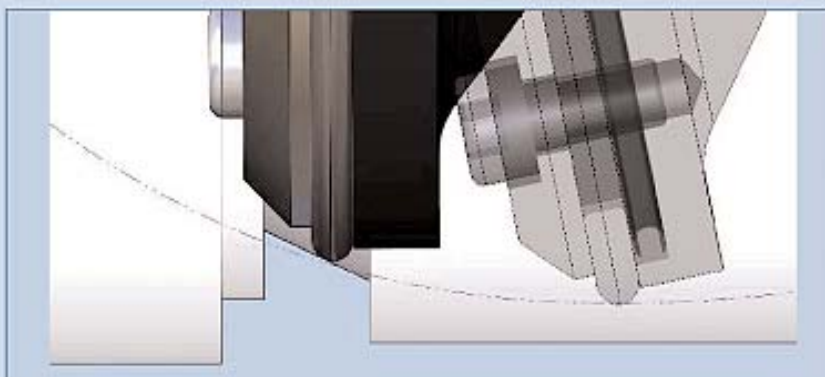


>> Product



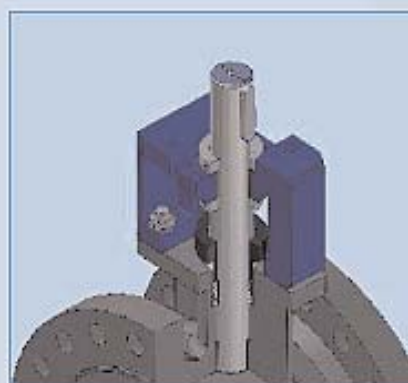
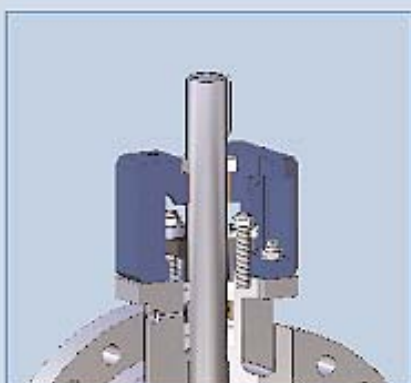
>> Quality

Sealing Element



Compact, rotation-symmetric sealing ring of stainless steel. Friction-free operation during opening due to immediate lift-off from the valve seat ensures a maximum on operation reliability and long cycle life.

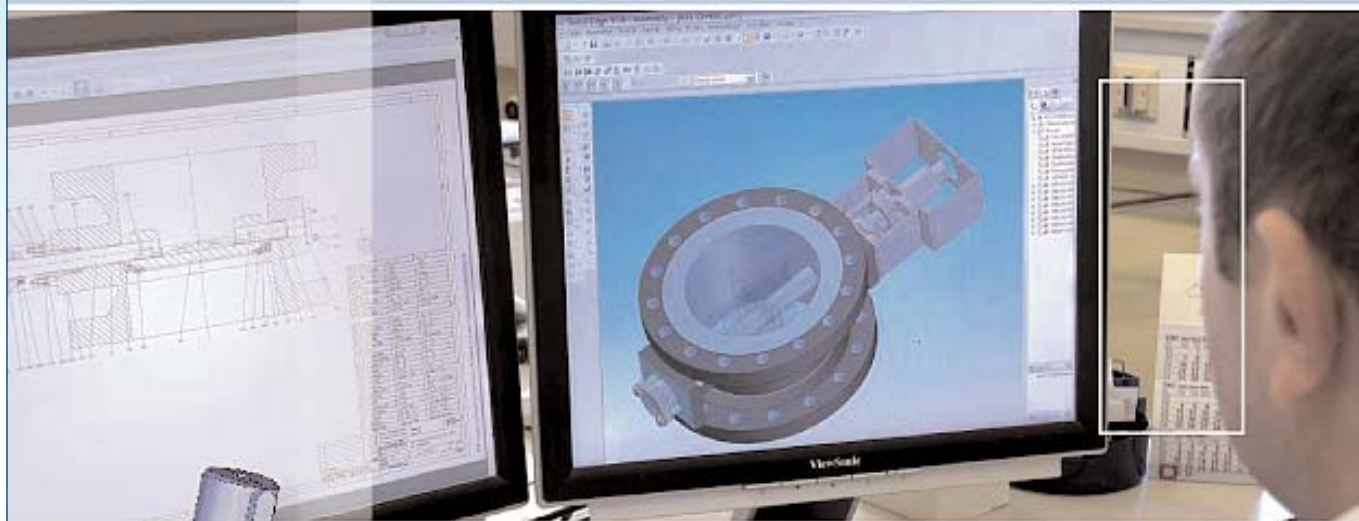
Shaft seal



The proven sealing system, fulfils the requirements of TA-Luft (Technical Instruction to maintain cleanliness of air) and is fire-safe. Type KX-HT is optional available with a maintenance free spring loaded stuffing box.

SAFEFLEX

VARIATIONS IN TECHNOLOGY & FUNCTION...



Butterfly Valve KX Safeflex in different executions

Butterfly Valves of the SAFEFLEX series are designed and manufactured according to the requirements of the application. Face to face dimensions are according to EN 558-1, API 609, ANSI B16.10. Individual face to face dimensions are possible as well. The metal sealing system fulfils the leakage-class requirements of EN 12266-1A and ANSI B16.104 Class VI (zero leakage). Individual material selection allows a high grade on flexibility. The valves can be operated by means of different types of actuators. Actuator flange connections are according to international standards.

The high performance valves series manufactured by OHL Guter-muth fulfils highest requirements!

Executions



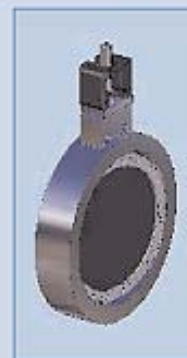
■ Flanged - type



■ Butt - welded ends



■ Lug type



■ Wafer type

...FOR CUSTOMER ORIENTED SOLUTIONS!



>> Machining



>> Hard facing / Stelliteing



>> Testing

Butterfly Valve KX Safeflex
Special executions...



High temperature
execution up to 800°C
Type KX-HT



Intensive Heat-Jacket execution
Typ: KX-HJ



Low Noise / Silencing
Type KX-LN

Modulating service of low flow rates
at high differential pressures.
Type KX-FLC

